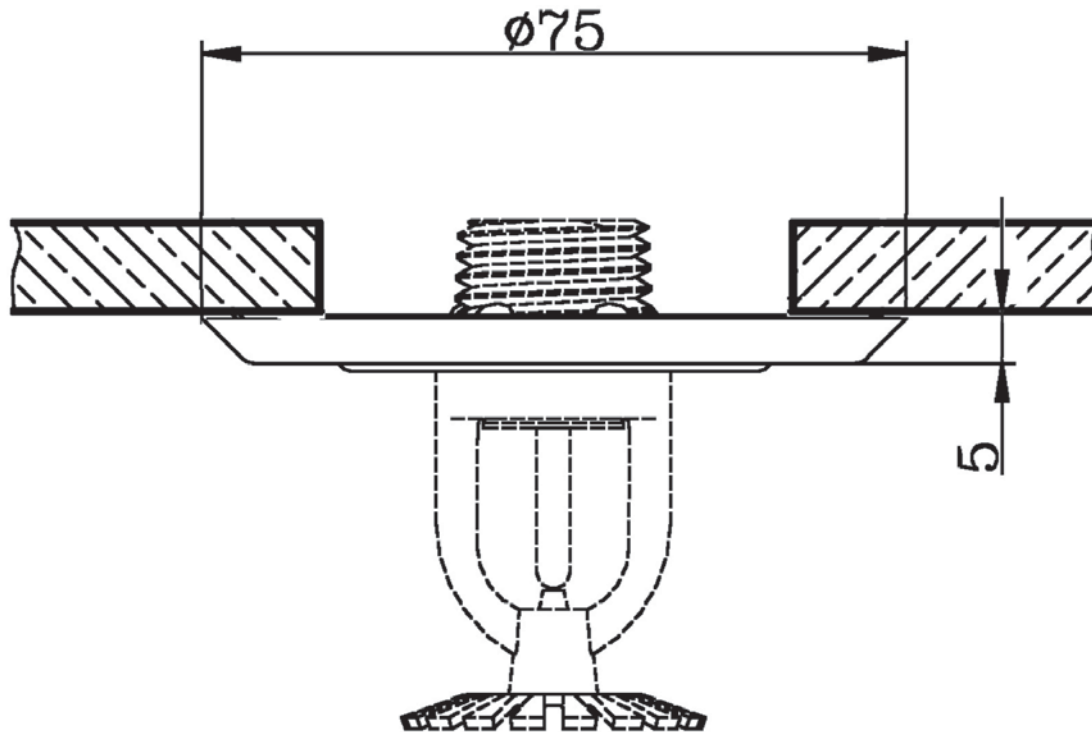


Single Piece Rosette



Description

Single piece rosette with lugged centre hole which allows the rosette to be pushed or screwed up and down the sprinkler thread. Suitable for most 15mm pendent and conventional sprinkler heads.

Material Specification

Pressed Steel

Weight 35g

Standard Finishes

Polished Chrome

White (RAL9010)

Gloss White

Rapidrop Global